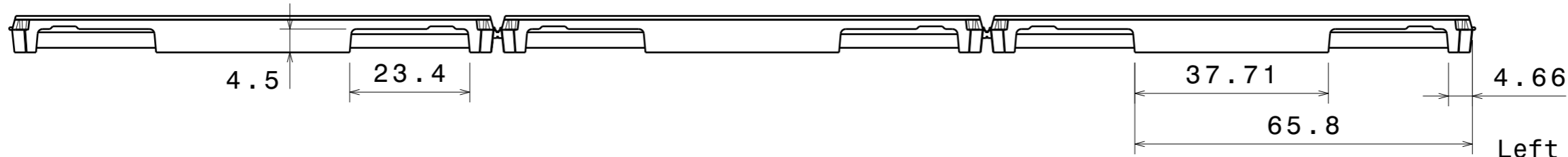
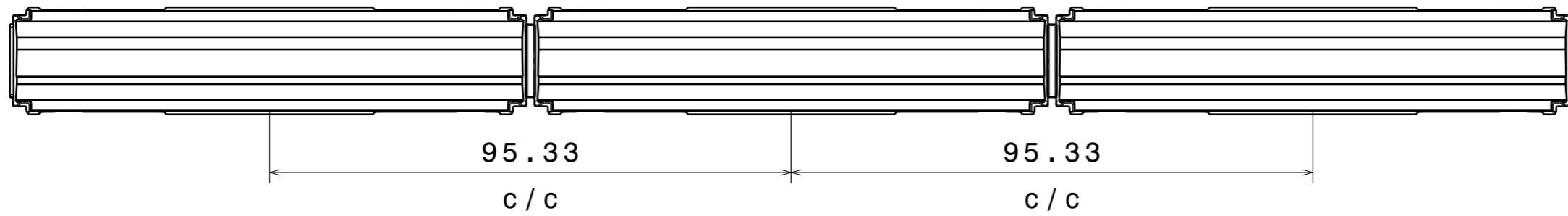


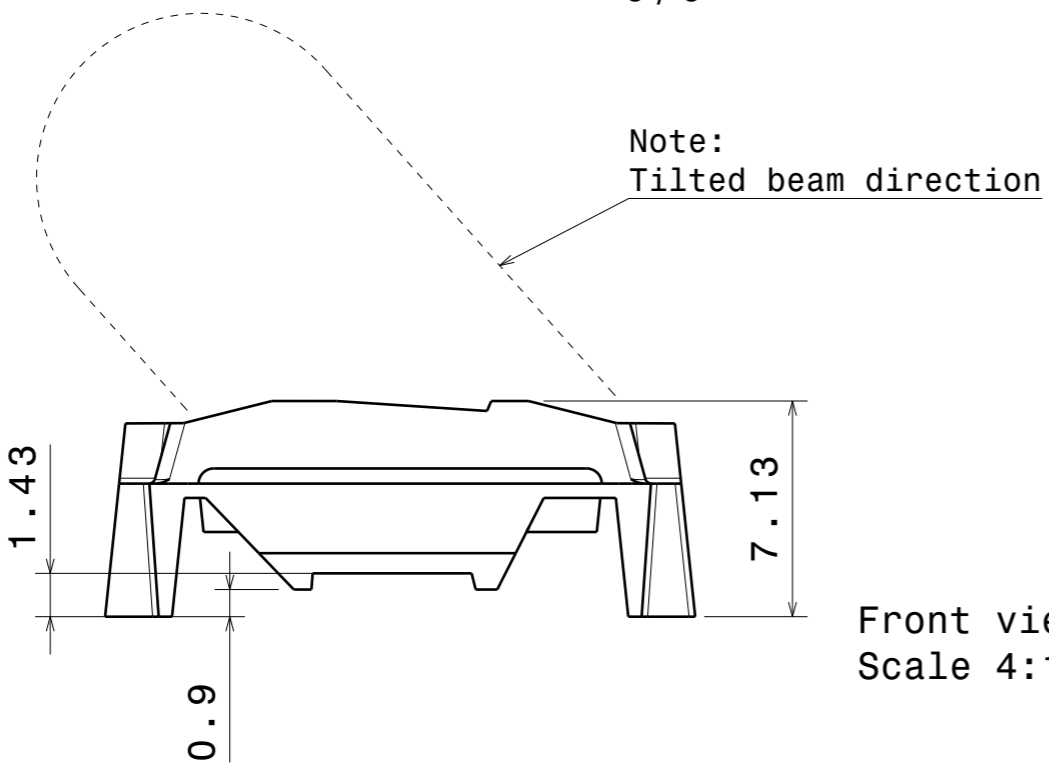
Bottom view



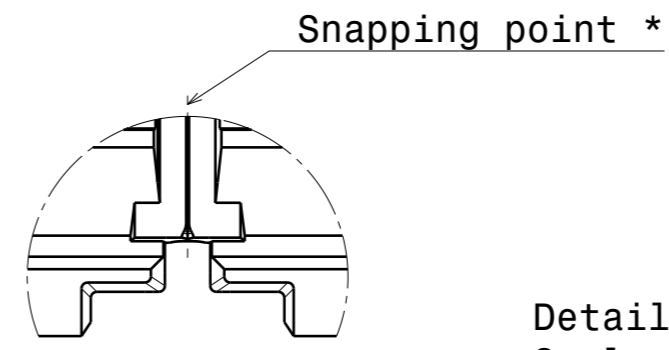
Left view



Top view



Front view  
Scale 4:1



Detail A  
Scale 4:1

\* Optics can be snapped along this line and used also as single parts.

| INDEX | PART NO | DESCRIPTION      | MATERIAL | COLOUR |
|-------|---------|------------------|----------|--------|
| 1     | F14344  | FLORENCE-1R-ZT25 | PMMA     |        |

Tolerances if not otherwise shown  
According to DIN ISO 2768-1  
Linear measures:  
Up to 30mm class M, otherwise class C.  
According to DIN ISO 2768-2  
Form and position: class L

**LEDiL** LediL Oy  
Salorankatu 10  
FIN 24240 SALO  
Finland

THIRD ANGLE PROJECTION:

DRAWING TITLE  
**F14344\_FLORENCE-1R-ZT25**

This drawing is the property of LEDiL Oy. It may not be reproduced, copied or communicated without a written agreement with LEDiL Oy.

SIZE PART NUMBER  
**A3 F14344**

SCALE 1:1 SHEET 1/1

H G F E D C B A

4

4

3

3

2

2

1

1

H G B A